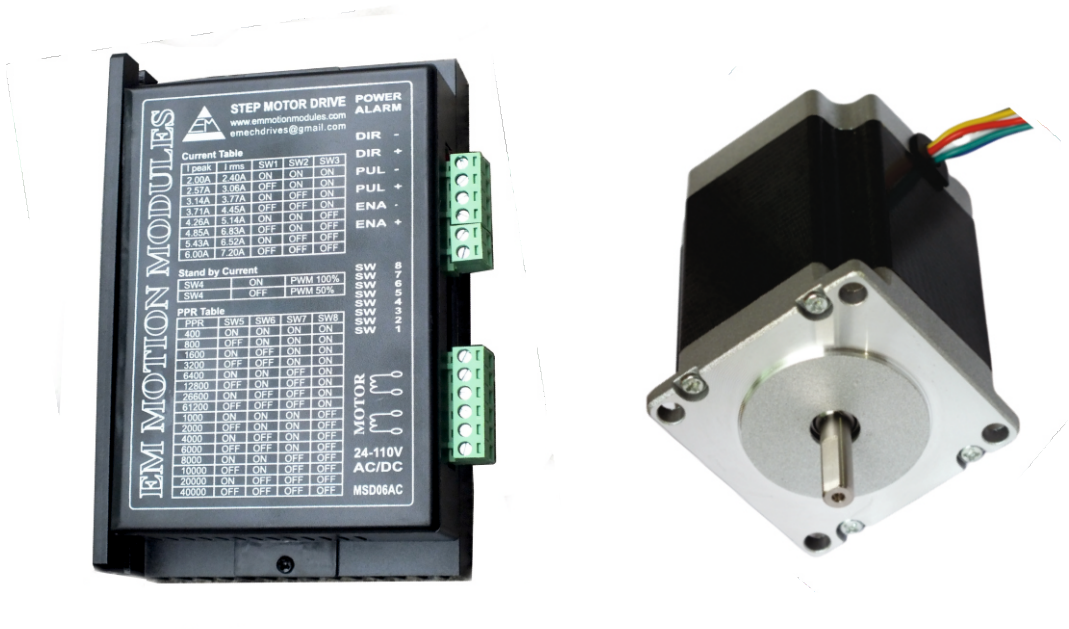




MICROSTEPPING BIPOLAR STEPPER MOTOR DRIVERS FOR MOTION CONTROLLING AND ROBOTICS



## Special Features

1. Compact, rugged and user friendly design
2. Can tolerate wide supply voltage range
3. Optically isolated control signal
4. Large control signal operating voltage
5. Autoamtic reduction of current when the motor is stand still condition
6. 7 step precision drive current setting fascility
7. In built over voltage and short circuit protection
8. In built over over current protection
9. User defined drive mode configuration up to 25600 step
10. Easy panel mounting with detachable connector terminal

## Specification

### Electrical Specification

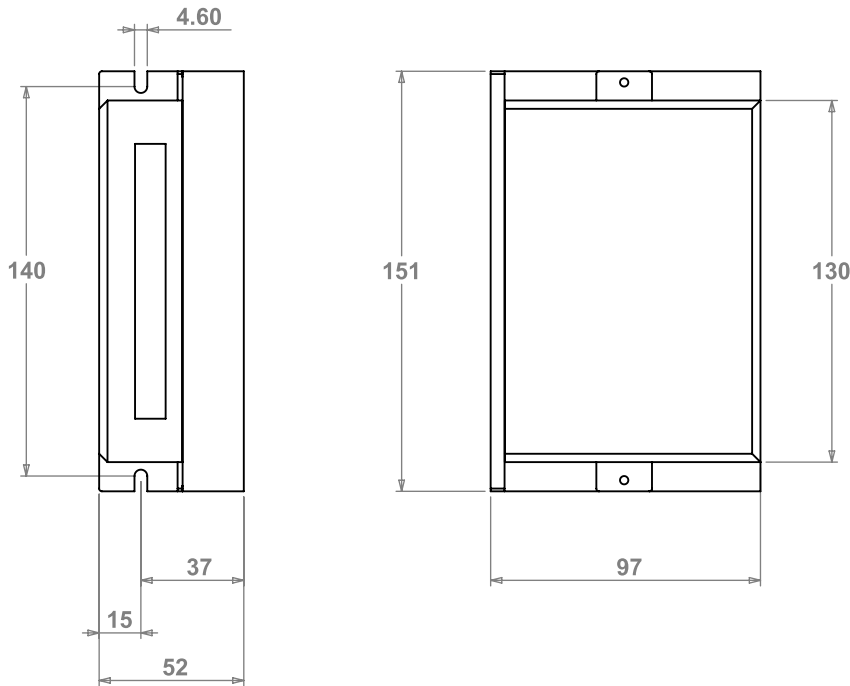
Sl#	Defenition	Min	Typ	Max	Unit
1	Operating Voltage	24	-	110	AC/DC Volts
2	Operating Current	100	-	7.2	Amps
3	Operating Power	-	-	792	Watts
4	Control signal Voltage	3	-	35	Volts
5	Control Signal Current Limit	5	-	8	m Amps
6	Control Signal Isolation	800V Peak to Peak			

### Thermal Specification

Sl#	Defenition	Min	Typ	Max	Unit
1	Drive Operating Temperature	0	-	70	'C
2	Drive Internal Temperature	0	-	50	'C
3	Operating Humidity	0	-	40%	'C

### Mechanical Specification

Dimension	Length	Height	Depth	Weight	Mounting	
					Hole	Pitch
	151 mm	97 mm	52 mm	500 gms	140 mm	4.6 mm



## EM MOTION MODULES

# 114, 6th Cross, 3rd Main, BHCS Layout, Subramanyapura Post, Uttarahalli, Bengaluru - 560061. Ph.: 080-26395978/ Mobile : +91-96861 43312  
E-mail : [emechdrives@gmail.com](mailto:emechdrives@gmail.com) / [info@emmotionmodules.com](mailto:info@emmotionmodules.com)